

## STERN RAILS

### MECHANICAL RAIL SPECS:

Beam at Transom Corner

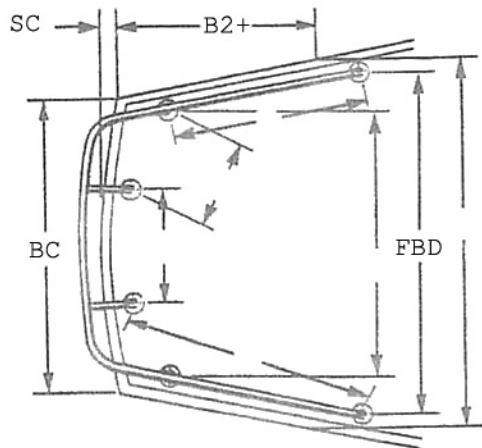
BC \_\_\_\_\_

Beam 2 ft. ahead of

B2+ \_\_\_\_\_

Stern Crown

SC \_\_\_\_\_



### WELDED 4 STANCHION RAIL SPECS:

Forward bases, beam, centerline

FBD \_\_\_\_\_

Aft bases, beam, centerline

ABD \_\_\_\_\_

Aft base to forward base

ATF \_\_\_\_\_

Lifeline termination top

RH-1 \_\_\_\_\_

Lifeline termination center

RH-2 \_\_\_\_\_

### WELDED 6 STANCHION RAIL SPECS:

Aft base to corner base

ATC \_\_\_\_\_

Corner base to forward base

CTF \_\_\_\_\_

Corner bases, beam

CB-B \_\_\_\_\_