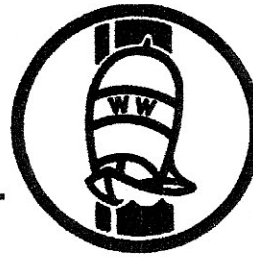


White Water Marine Inc.

Custom Stainless Steel Hardware

www.whitewatermarineinc.com

3755 West Water
P.O. Box 610595 • Port Huron, Michigan 48061-0595



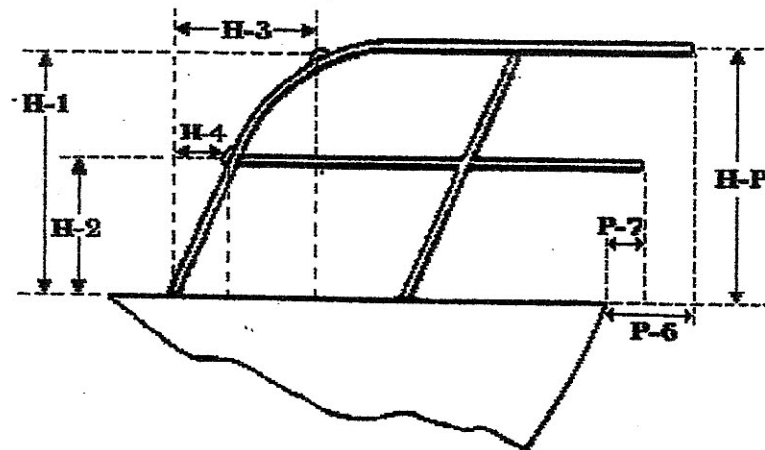
Fax (810) 966-0597

Phone (810) 987-4837

Custom Bow Pulpit Measuring Guide

Customer Name _____

Model Number _____



Required for all models

H-P _____ Deck to center of top rail of pulpit.

H-1 _____ Deck to center of top eye.

H-3 _____ Center of top eye to vertical line extended from center of aft base.

P-6 _____ Bow to the vertical line extended down from center of top rail nose.

Required for double railed pulpits and single railed pulpits with double lifeline eyes.

H-2 _____ Deck to the center of intermediate eye.

H-4 _____ Center of intermediate eye to vertical line extended from center of aft base.

P-7 _____ Bow to vertical line extended from center of intermediate rail nose.

Required for all models

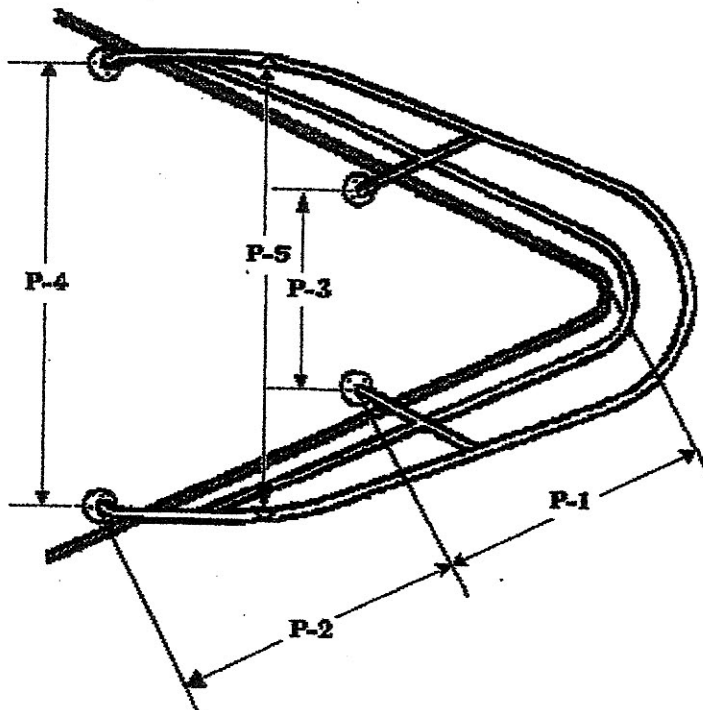
P-1 _____ Bow to centerline of forward base.

P-2 _____ Centerline forward base to centerline aft base.

P-3 _____ Beam centerline of forward bases.

P-4 _____ Beam centerline of aft bases.

P-5 _____ Beam centerline of top lifeline eyes.



If bases are welded-on plates:

Specify deck camber at P-4 _____ P-3 _____